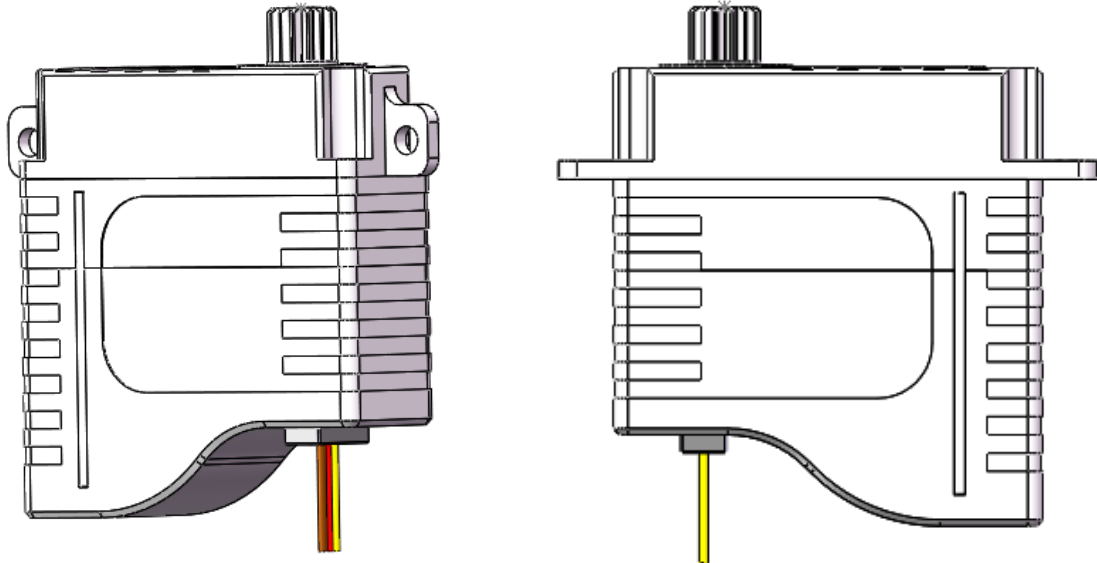
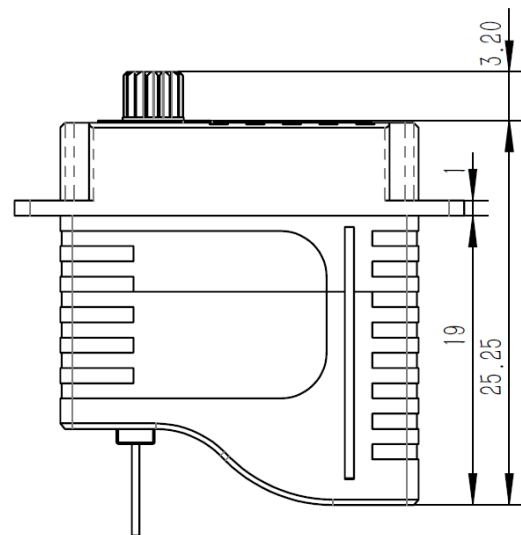
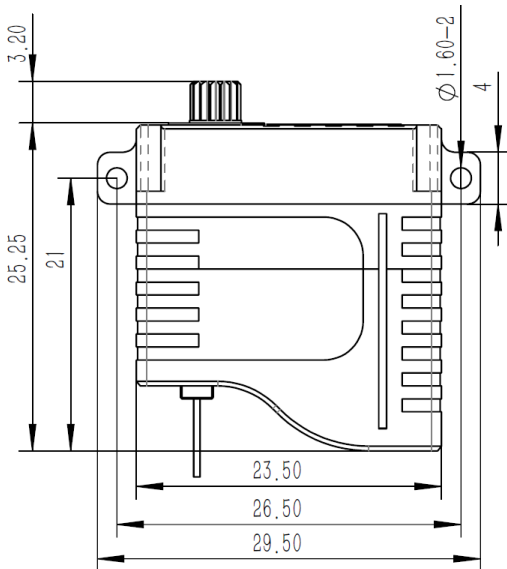
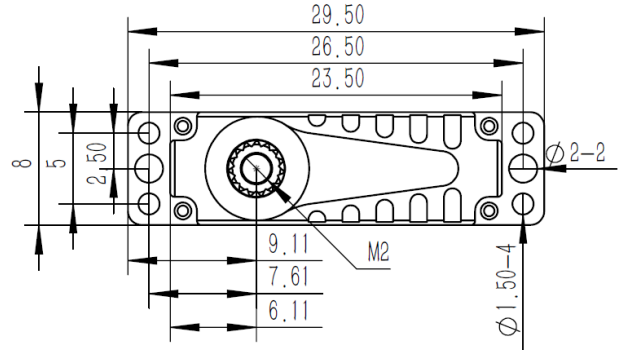
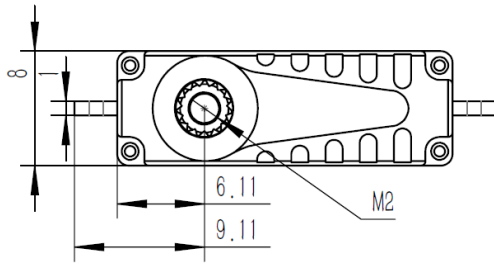


# HS08

## Technical Specification

**Version A****HS08-A****Version B****HS08-B**

### 1. Installation Dimensions



**Version A**

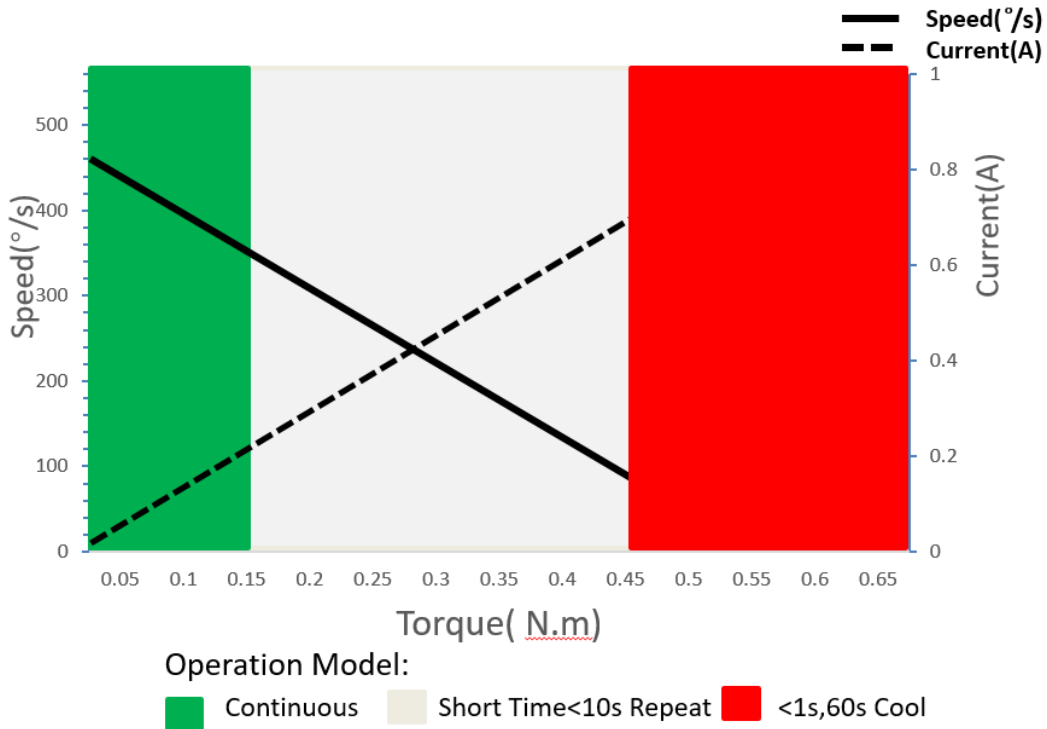
**Version B**

	Version A	Version B
<b>Case Dimensions</b>	23.5mm*8mm*25.25mm	23.5mm*8mm*25.25mm
<b>Weight</b>	11g	11g

### 2. Operating Data

Voltage Range	DC6.0V
Rated Voltage	DC3.8V-8.4V
Stalling Torque	0.28N.m@3.8V
	0.45N.m@6.0V
	0.52N.m@7.4V
Rated Torque	0.15N.m@6.0V
Stalling Current	0.68A@6.0V
Rated Current	0.25A@6.0V
No-load Speed	0.21sec/60°@3.8V
	0.13sec/60°@6.0V
	0.11sec/60°@7.4V
Rated Speed	0.20sec/60°@6.0V
Default Travel Angle	±60° = 120° total travel
Operating Temperature Range	-20°C.....+65°C

### 3. Performance @6.0V



## 4. Command Signal

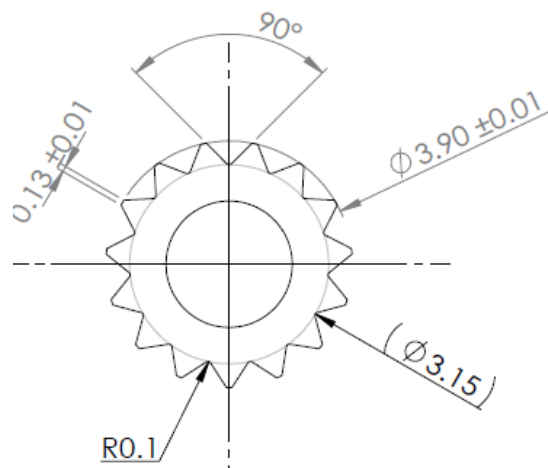
### PWM Command Interface

Signal Voltage	TTL-Level: HIGH:min.3.3V,max.5.0V TTL-Level: Low:min.0.0V,max.1.5V
Pulse Lengths	1000us-2000us
Pulse Lengths for Position-60°/0°/+60°	1000us/1500us/2000us

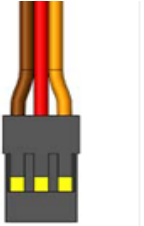
## 5. Materials and Features

Case Material	Aluminum Alloy 7075
Motor Type	Coreless DC Motor
Gear Set Material	Hardened Steel
Position Sensor	Potentiometer

## 6. Output Shaft Spline (15T)



## 7. Electrical Connection

 <p>3 2 1</p>	Pin Assignment			
	1	Yellow	SIG	Command Signal
	2	Red	+V DC	Supply Voltage
3	Brown	GND	Supply Ground, Signal Ground	

## 8. Accessories

N/A

## 9. Item Number System

